

OptiWay™ Network Interface Device, FNI-NG Series

An Evolant® Solutions Product

Description

The Corning Cable Systems OptiWay™ Premier Network Interface Device (NID) is the next-generation in all-plastic enclosures specifically designed to house electronic circuits for the growing FTTx and broadband access markets.

This state-of-the-art NID is designed to both replace and supplement existing fiber or standard copper NIDs. Suitable in an outdoor environment, the OptiWay Premier NID utilizes a smaller enclosure in keeping with the shrinking size of today's electronics. The enclosure incorporates a hinged interface for access to OEM electronics.

The OptiWay Premier NID integrates the Corning Cable Systems proven OptiFit® Advantage Drop Cable Assembly adapter in a more seamless manner than earlier models. The OptiFit Advantage Drop Cable Assembly adapter greatly reduces installation time and complexity.

Features/Benefits

Flexible – Design accommodates many applications

- Universal mounting provision accommodates active or passive components
- Access electronics without disconnecting services
- Dedicated grommet entries for subscriber wiring and service-provider cables
- Accepts fiber optic, coax, Ethernet and telephony cabling
- Accepts shielded and non-shielded cables and conduits
- Compatible with external local power or network power sources
- Supports spliced or preconnectorized solution
- Fiber management features maintain minimum bend radius and allow storage of up to 3 m of excess fiber



OptiWay™ Premier NID, Front-View | Photo NID011

Secure – Provides subscriber access while protecting service provider components

- Customer access is padlock-ready with service provider override
- One-piece outside cover with internal service provider shield

User friendly – Easy to install and maintain

- Use of OptiFit Advantage Drop Cable Assemblies allow for one-step installation of the subscriber drop, saving valuable installation time
- Enables the use of installation and maintenance field craft for subscriber turn-up
- No fusion splicing or field termination required at the subscriber premises

Reliable – Keeps your network running

- Flame-retardant and impact-resistant engineering-grade thermoplastic ensures maximum product life
- Weather-resistant enclosure protects sensitive electronics from the outside plant environment
- Passes wind-driven rain certification with gasketless sealing design
- UL listed



Product Specifications

OptiWay™ Network Interface Device, FNI-NG Series

An Evolant® Solutions Product

Specifications

Dimensions (H x W x D)	32.3 x 25.1 x 9.7 cm (12.7 x 9.9 x 3.8 in)
Weight	1.1 kg (2.5 lb)

Ordering Information

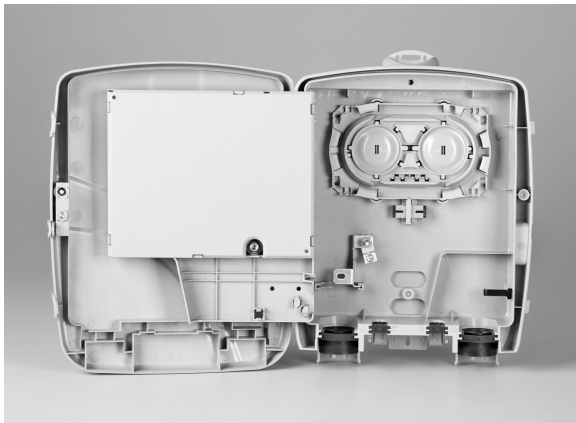
Part Number	Description
FNI-NG1-U1010	OptiWay™ Premier NID includes splice tray equipped with SC UPC (SC APC) adapter

Accessories

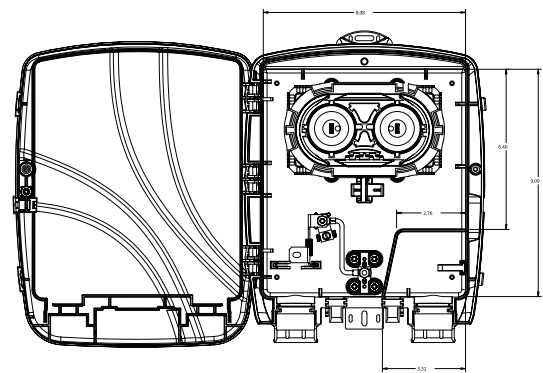
FNI-NG-SPLCTR-01	Kit, Fiber Splice Tray with SC APC adapter
KIT-OPTFT-005	Kit, OptiFit® Advantage Drop Cable Assembly Adapter, blue
FNI-NG-EEKIT-01	Kit, Printed Circuit Board (PCB) Enclosure with 4-terminal bridge positions, includes 2-screw terminal bridge assemblies
FNI-NG-EEKIT-02	Kit, Printed Circuit Board (PCB) Enclosure with 2-terminal bridge positions, includes 2-screw terminal bridge assemblies
FNI-8925BRDG-KIT	Kit, Box of 500 Screw Terminal Bridge Assemblies, each bridge assembly is 1 line cord with RJ11 and 2-screw terminals

Shipping Information

Standard Pack Qty	10
Dimensions (H x W x D)	50.8 x 50.8 x 33.0 cm (20 x 20 x 13 in)
Weight	11.8 kg (26 lb)



OptiWay Premier NID, Splice Area | Photo NID012



OptiWay Premier NID, Splice Area with Dimensions | Drawing ZA-2988

CORNING
Evolant®
Solutions

Corning Cable Systems LLC • PO Box 489 • Hickory, NC 28603-0489 USA
800-743-2675 • FAX: 828-901-5973 • International: +1-828-901-5000 • www.corning.com/cablesystems

Corning Cable Systems reserves the right to improve, enhance and modify the features and specifications of Corning Cable Systems products without prior notification. Evolant and OptiFit are registered trademarks of Corning Cable Systems Brands, Inc. OptiWay is a trademark of Corning Cable Systems Brands, Inc. All other trademarks are the properties of their respective owners. Corning Cable Systems is ISO 9001 certified. © 2006, 2007 Corning Cable Systems. All rights reserved. Published in the USA. EVO-646-EN / May 2007